



Wash Bay System

North America's #1 Name for
High-Pressure Cleaning Equipment

For Cleaning Vehicles and
Heavy Equipment



NOTHING CLEANS LIKE A HOTSTY!



If you operate a fleet of trucks or other heavy equipment that you clean often, consider installing a Hotsy Wash Bay System.

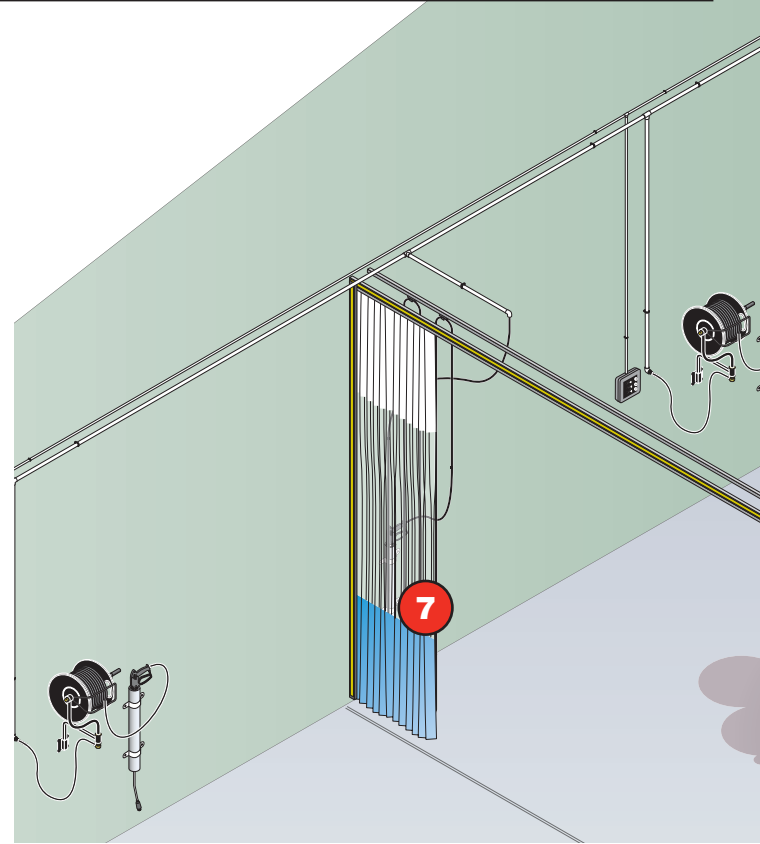
This complete washing system includes the pressure washer of your choice located remotely in your facility, with a trolley system of hoses and wands, allowing multiple users at one time. It is easier to maintain than a stand-alone pressure washer.

Hotsy Wash Bay Systems are customized to fit your specific cleaning needs. The result is faster, more efficient cleaning.



THE BENEFITS of a Wash Bay System vs. using only a Pressure Washer

- 1 Pressure washer is located away from the water and grime of the Wash Bay** - This protects the machine, reduces service calls and extends the life of the machine.
- 2 Stationary pressure washers** which run on natural gas or LP gas are the pressure washer of choice in wash bays. This means that no refueling is required, as the fuel source is piped in. Furthermore, LP and natural gas machines have one third less moving parts, resulting in less maintenance and years of use.
- 3 Multiple gun system** means you have one pressure washer, with several guns and hoses located in the Wash Bay. This can allow more than one user to clean at the same time.
- 4 Remote control** allows the user to turn the pressure washer on or off, without needing to walk back and forth to the machine.
- 5 Hose Reels, trolley kits (5A) and swivel hose booms (5B)** lift the hoses off the ground and out of grease and oil, which prevents damage by accidentally running over them. Also allows the hose to be easily maneuvered around the vehicle you are cleaning. They are easy to use and easy to put away. Note: the trolleys can be added on each side of a bay to allow easier cleaning of both sides of a vehicle.
- 6 Detergent orifice** reduces detergent usage and cost by measuring out exactly the amount of detergent needed for effective cleaning.
- 7 Expandable curtain walls** keep overspray, splashing and contaminants inside the cleaning area. When not in use they can be retracted.
- 8 Machine stand** helps protect the machine from damage. Also, by placing your detergent beneath the machine in a bulk pack (or tote), you always have detergent when you need it, and it is a space saving solution.
- 9 Optional water softener** turns hard water into soft water, doubling the cleaning power while using less detergent; also reduces repair to your washer.
- 10 Turbo nozzles** will speed your cleaning. The rotary action of the **turbo nozzle** cuts your cleaning time dramatically.
- 11 Undercarriage nozzles reach** under the vehicle to clean without having to get on your hands and knees.



THE CLEANING SOLUTION FOR THE HEAVY

MACHINE INSTALLATION OVERVIEW

Company Name: _____ Phone: _____
Address: _____
City / State / Zip: _____
Contact Name: _____ Title: _____
Department: _____ E-mail: _____
Best Time To Call: _____

MACHINE:

Model: _____ Voltage: _____
Phase: _____ Total Amps: _____
Breaker Amp Required _____
Service Amperage Available (largest breaker in main box):

ELECTRICITY:

- 115V 230V 3Phase
 208V 1Phase 460V 3Phase
 230V 1Phase 575V 3Phase
 208V 3Phase

Meter Reading: _____ Volts

Confirm: 1/Phase 3/Phase

Distance of machine from Breaker Box: _____ Ft.

Existing Conduit - Wire Size: _____ gauge
Wire Size Required _____ gauge

- Larger Wire Required
 New Conduit Installation Required

ACCESSORIES:

- Primary Remote
 Additional Stations
Total Drops: _____
Total Drops in Operation at One Time: _____

Distance from Machine to Furthest Drop:
_____ x 2 = _____ Ft. Total

- Remote Detergent
 Down Stream Detergent
 Thermal Shut Down
 Auto Start Stop Time Delay Shutdown
 Single Gun Dual Gun
 Machine Stand
Height of Stand _____" Total Height _____"
Other _____

WATER:

Machine: _____ GPM

Water Service Line: _____ O.D.

- City Water Service
 Rural Water Service
 Well Service

WATER continued:

- Adequate GPM
 Auxiliary Float Tank Required:
 15 Gal. 55 Gal.
 30 Gal. Other _____
Water pH: _____ Water Hardness: _____ grains

- Water Softener needed
 Soften Machine Only
 Soften Entire Building

Softener Size: _____

Clock Head

Meter Head

Softener Model # _____

110 Volt Available at Softener

Hard Plumb Line: _____
1/2" Galvanized: _____ 3/4" Galvanized: _____

Inlet Water Pressure Regulator Required

In-Line Water Filter Required

Back Flow Valve Required by Code:

- Yes No

Jumper Garden Hose: _____ Ft. or _____ Inches

FUEL:

- Diesel Fired Liquid Propane
 Natural Gas High Pressure Natural Gas

Machine BTU: _____

Existing Gas Pipe Service
(From Meter Into Building) _____

O.D. Gas Pipe _____

O.D. Nearest Machine _____

Gas Pipe O.D. Required _____

Other Gas Fired Equipment (heaters etc.): _____

Total BTUs: _____

Adequate Gas Supply

VENTING:

Draft Diverter: 8" 10"

Barometric Dampener

Power Vent

Single Wall Vent _____ Ft.

Double Wall Vent _____ Ft.

Triple Wall Vent _____ Ft.

Storm Cap & Collar

Reducer Collar 10" to 8"

Ceiling Height: _____ Ft.

HOSE & HOSE SYSTEMS:

- | | |
|---------------------------------------|---|
| <input type="checkbox"/> 50' Hose | <input type="checkbox"/> 100' Hose |
| <input type="checkbox"/> 75' Hose | <input type="checkbox"/> Other Length _____ Ft. |
| <input type="checkbox"/> 1 Wire | <input type="checkbox"/> 2 Wire |
| <input type="checkbox"/> 3000 PSI | <input type="checkbox"/> 4000 PSI |
| <input type="checkbox"/> 5000 PSI | |
| <input type="checkbox"/> Smooth Cover | <input type="checkbox"/> Tuff Skin Cover |
| <input type="checkbox"/> Non-Marking | <input type="checkbox"/> Fat/Oil _____ |

Hose Reel:

- | | |
|--|---|
| <input type="checkbox"/> 13" Non Swivel | <input type="checkbox"/> 16" Non Swivel |
| <input type="checkbox"/> 13" Swivel | <input type="checkbox"/> 16" Swivel |
| <input type="checkbox"/> Machine Mount Brkt. | |
| <input type="checkbox"/> Wall Mount Brkt. | |
| <input type="checkbox"/> Floor Mount Brkt. | |

Other Brkt. _____

- | | |
|---|--------------------------------------|
| <input type="checkbox"/> 180-Degree SS Wall Mount Boom | |
| <input type="checkbox"/> 360-Degree Ceiling Mount SS Boom | |
| <input type="checkbox"/> Boom Arm 10" | |
| <input type="checkbox"/> Boom Arm 5'6" | <input type="checkbox"/> Boom Arm 8' |
| <input type="checkbox"/> Hose Trolley | |
| <input type="checkbox"/> 1 Wall | <input type="checkbox"/> 2 Wall |

Length Of Wash Bay _____ Ft.

Total. Length of Trolley _____ Ft.

Connector Hose/s Needed

- | | |
|---------------------------------|---------------------------------|
| <input type="checkbox"/> 1 Feet | <input type="checkbox"/> 3 Feet |
| <input type="checkbox"/> 2 Feet | <input type="checkbox"/> 4 Feet |

DETERGENT:

Product: _____

Estimated Usage: _____ gals/month

- | | |
|---|---|
| <input type="checkbox"/> 55 Gal. Drum | <input type="checkbox"/> Bulk Pack |
| <input type="checkbox"/> 110 Gallon | <input type="checkbox"/> 250 Gallon Bulk Pack |
| <input type="checkbox"/> 375 Gal. Bulk Tank | <input type="checkbox"/> Tote |

Other: _____ Gallons

Detergent Ratio _____ : _____

pH at Nozzle: _____

Orifice Drill Size: _____

Maintenance Program: Yes No

Hydrominder: Yes No

DETERGENT APPLICATION METHOD:

High Pressure:

Wand Length:

- | | | | | |
|------------------------------|------------------------------|------------------------------|------------------------------|--------------------------------|
| <input type="checkbox"/> 36" | <input type="checkbox"/> 48" | <input type="checkbox"/> 60" | <input type="checkbox"/> 79" | <input type="checkbox"/> Other |
|------------------------------|------------------------------|------------------------------|------------------------------|--------------------------------|

Low Pressure

Down Stream Chemical Injector

Machine GPM _____

Cold Water Hot Water

Acid Grade

Dual Lance Wand

- | | | | |
|------------------------------|------------------------------|------------------------------|--------------------------------|
| <input type="checkbox"/> 36" | <input type="checkbox"/> 48" | <input type="checkbox"/> 72" | <input type="checkbox"/> Other |
|------------------------------|------------------------------|------------------------------|--------------------------------|

Foam Station

With Air (shop air required) Without Air

Pre-Spray

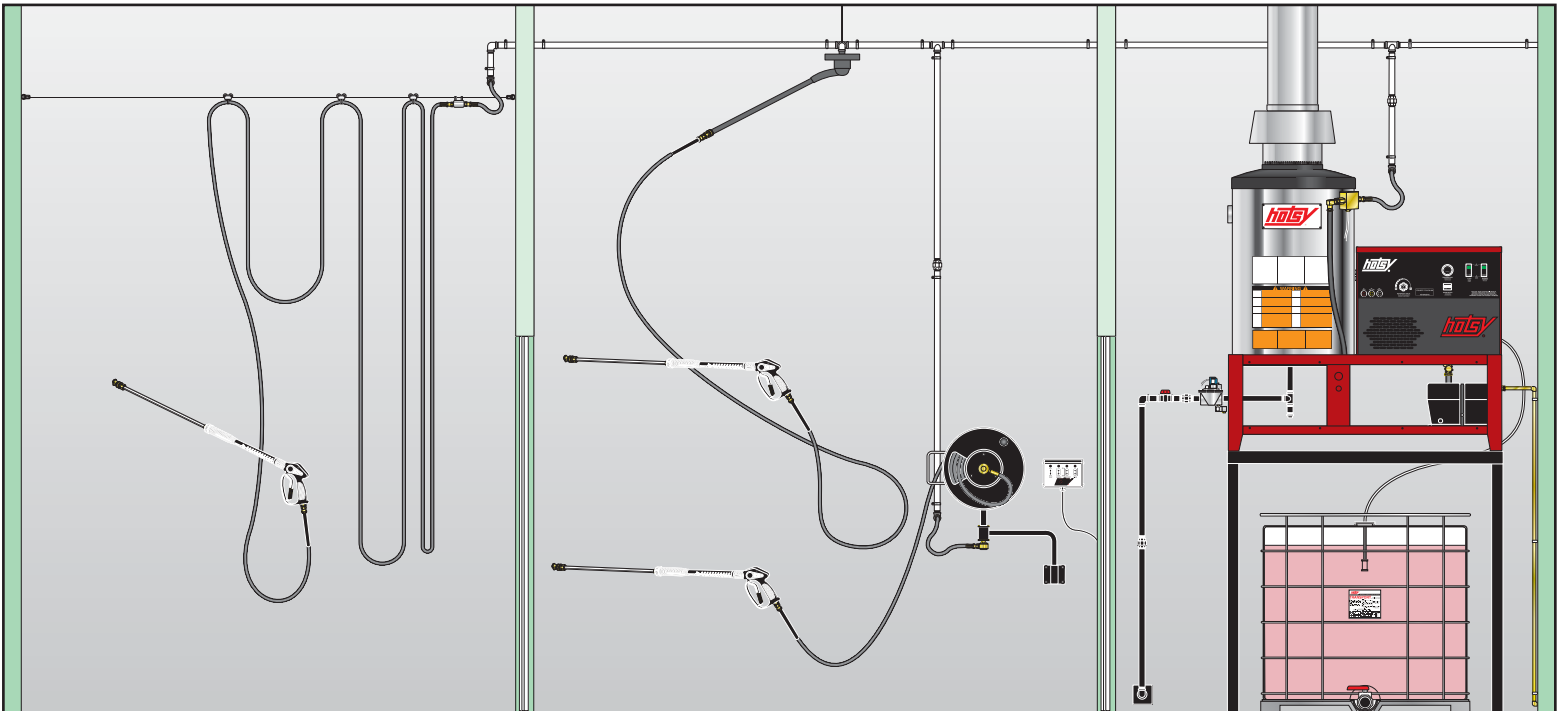
12Volt 110Volt

Air Driven (shop air required)

Acid Grade Pump

Preferred Contractor: _____ Phone: _____

EQUIPMENT ILLUSTRATION



EQUIPMENT ROOM

WASH BAY AREA

HOTSY WASH BAY SYSTEMS

Pressure washers designed for tough industrial cleaning.



SPECIFICATIONS

There are over 50 models of Hotsy pressure washers suitable for use in a Wash Bay System. Your local Hotsy distributor will be your best source in determining which series and model best meets your needs.

SERIES	POWER SOURCE	GPM	PSI	HP	VOLT/ PHASE	AMP	FUEL	BTU / HOUR	PUMP	DRIVE
500 SERIES	Electric	2.2	1300	2	115/1	18	NG or LP	224,000 - 227,000	Hotsy Duplex	Direct
700 SERIES	Electric	2.8	1500	3	230/1	13	NG or LP	280,000 - 338,000	Hotsy Triplex	Direct
900 SERIES	Electric	3.8 - 3.9	2000 - 2300	5 - 6.2	208/1 to 575/3	16 - 28	NG or LP	360,997 - 364,835	Hotsy Triplex	Belt
1400 SERIES	Electric	3.9	3000	7.5 - 8.2	208/1 to 575/3	10 - 42	NG or LP	360,997 - 364,835	Hotsy Triplex	Belt
1800 SERIES	Electric	4.8 - 5.9	2500 - 3000	10	208/1 to 575/3	11 - 48	NG or LP	558,050	Hotsy Triplex	Belt
5700 SERIES	Electric	7.8	3000	15	208/3 - 460/3	23 - 47	Oil or NG	720,450 - 768,000	Hotsy Triplex	Belt

OPTIONS For Your Hotsy Pressure Washer

- Remote Controls** Controls the start up and shut down of the machines, as well as the application of soap with the optional detergent kit; all with easy to use low voltage switches.
- Auto Start Stop** Allows starting the machine by simply triggering the gun. A preset adjustable timer automatically shuts the machine down before damage can occur to pump seals and packings by leaving the machine in by-pass mode.
- Thermal Pump Shut Down** The thermal protector monitors the temperature of the by-passed water and automatically shuts the machine down before temperatures are reached that can damage pump components.
- Time Delay Shut Down** Safeguards damage to the machine if the operator fails to shut down the machine after use.
- Auto-Start with Thermal Shut Down** Allows starting the machine by simply triggering the gun. Also, if the operator fails to shut down the machine after use, it safeguards damage to the machine before temperatures are achieved where damage would occur.
- Time Delay with Thermal Shut Down** A preset adjustable timer is set to automatically shut the machine down after use, while a thermal protector monitors machine temperature of the by-passed water, also enabling the machine to shut down before damage occurs.
- Natural Gas or LP Gas Fired Draft Diverters** prevent back-drafts, keep cold air out & prevent water from running down the vent pipes.
- Downstream Soap System** allows soap to be applied while you are washing.

Hotsy **Nothing Cleans Like a Hotsy!**

Distributed by:

Tel: (800) 525-1976 Fax: (888) 880-9631

www.Hotsy.com email: info@Hotsy.com

P/N 8.930-236.0 Effective 3/07 Specifications and product descriptions subject to change without notice. ©2007 Hotsy



NOTE: We are constantly improving and updating our products. Consequently, pictures, features and specifications in this brochure may differ slightly from current models. Flow rates and pressure ratings may vary due to variances allowed by manufacturers of our machine components. We attempt to keep our machine performance within ±5% of listed specifications.